

Installation Instructions for Continental Cabinets and Hampton Bay Wall Kitchen Cabinet Brackets

Overview: Each cabinet will use two brackets, one placed in the upper left inside corner and one in the upper right inside corner, securing the back of the cabinet to the sides. Each bracket uses 4 screws and has an optional decorative cover so that the bracket blends into the interior of the cabinet. Bracket installation can start on either side of the cabinet. A video of the installation can be found at <https://vimeo.com/americanwoodmarkcorp/bracket-install-video-guide>.



Scan this QR code for video of bracket installation.

Parts provided: Bracket kit – one kit per cabinet. Each kit includes 2 brackets, 8 - #8 x ½ inch screws, 2 bracket covers, and 4 glue dots.

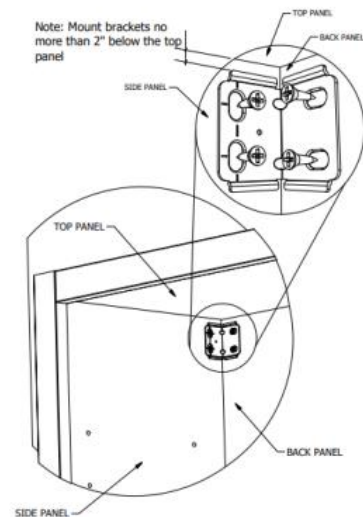
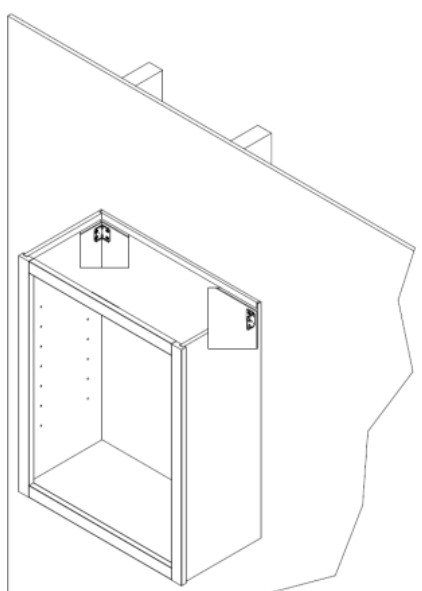
Tools:

- Phillips head screwdriver or, for faster installation, an automatic screwdriver or drill, placed on the lowest torque setting, with a Phillips head.
- Ruler or measuring tape
- Safety glasses (recommended)
- Pencil for marking bracket placement (optional)
- Step ladder (optional)

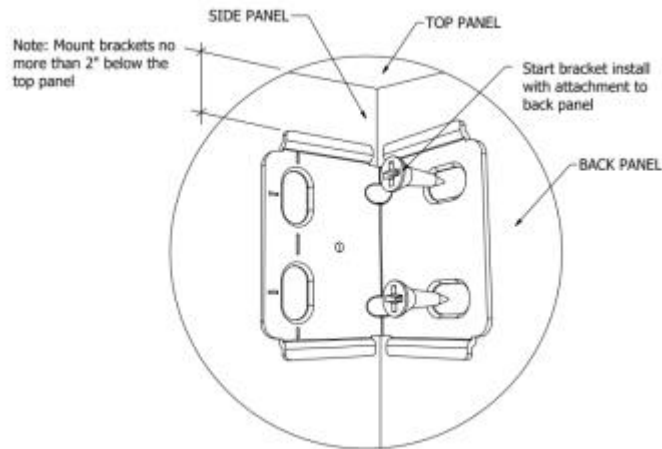
Estimated time to complete: 10 minutes

Instructions:

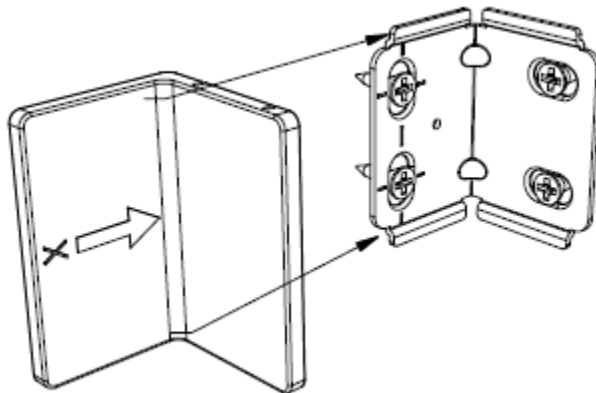
1. Remove the contents of the cabinet, including the shelves, prior to the bracket installation.
2. Before beginning the bracket installation, ensure that cabinet shows no sign of visible separation between the side panel and back panel. If it does, do not proceed and call American Woodmark toll free at 888-273-7896.
3. On the inside back corner of the cabinet, measure between ¼ inch and 2 inches from the top panel where the bracket will be placed. Optional: use a pencil to mark your measurement.
4. Place one bracket in the top inside back corner of the cabinet, oriented so the horizontal slots are on the back panel. Keep the bracket face flush to the side panel and back panel, seated in the corner of the cabinet, within ¼ inch and 2 inches from the top panel.



- Optional: Once the bracket position has been determined, you can use the provided glue dots to hold the bracket in place until you install the screws. Place glue dots behind the bracket and press the bracket into place, ensuring that the bracket is seated in the corner of the cabinet, sitting flush to the back panel and side panel.
- Permanently attach the bracket to the back panel by installing 2 screws in the middle of each horizontal slot, ensuring the bracket is seated in the corner of the cabinet, sitting flush to the back panel and side panel. If using an automatic screwdriver or drill, use the lowest torque setting. Tighten the screws until snug and flush with the bracket surface. Avoid overtightening the screws.



- Install the remaining 2 screws to attach the bracket to the side panel, tightening the screws until snug and flush with the bracket surface.
- Optional: Slide the decorative cover onto the bracket face on the side panel and apply pressure on the opposite face to snap the cover into the bracket on the back panel.



- Repeat steps 1-7 for installing the second bracket on the other inside top corner of the cabinet.

*If you are unable to perform the bracket installation, please call American Woodmark toll free at 888-273-7896 or email qualitynotice@woodmark.com with the subject "Bracket installation" and we will assist you with the bracket installation.